



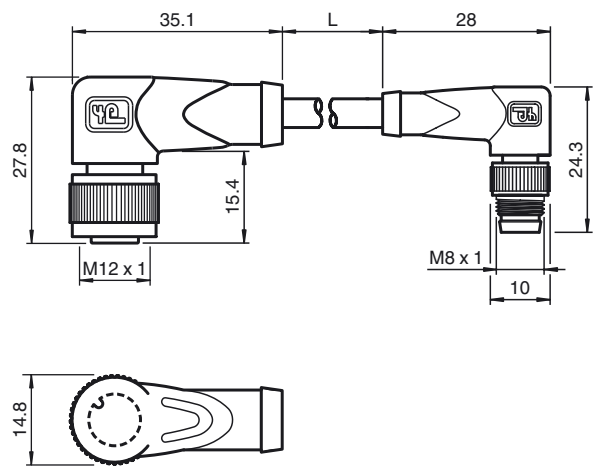
**Model Number**

**V1-W-1,5M-PVC-V31-WM**  
 Connection cable, M12 to M8, PVC cable, 4-pin

**Features**

- Knurled nut suitable for tool assembly
- Immunity to vibration, with mechanical latching
- Gold plated contacts
- Degree of protection IP67 / IP68 / IP69K

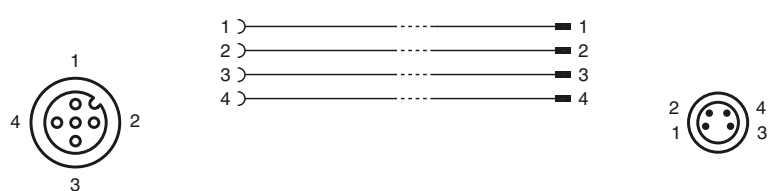
**Dimensions**



**Technical data**

<b>General specifications</b>		
Number of pins		4
Connection 1		socket
Construction type 1		right angle
Threading 1		M12
Connection 2		Male connector
Construction type 2		right angle
Threading 2		M8
UL File Number		E231213
<b>Electrical specifications</b>		
Operating voltage	U <sub>B</sub>	max. 60 V DC
Operating current		max. 4 A
Contact resistance		< 10 mΩ
<b>Ambient conditions</b>		
Ambient temperature		-25 ... 100 °C (-13 ... 212 °F) for temperatures over 80 °C (176 °F) reduced elongation at tear
Pollution Degree		3
<b>Mechanical specifications</b>		
Contact elements		spring-loaded contact socket
Pin diameter		1 mm
Degree of protection		IP67 / IP68 / IP69k
Material		
Contacts		CuSn / Au
Contact surface		Au
Body		TPU, black
Cable		PVC
Slotted nut		Diecast zinc
Sleeve connector		Diecast zinc
Core insulation		PVC
Cable		
Cable		fine-strand, flexible
Sheath diameter		Ø4.8 mm
Bending radius		> 10 x cable diameter, moving
Color		grey
Cores		4 x 0.34 mm <sup>2</sup>
Conductor construction		19 x 0.15 mm Ø
Length	L	1.5 m
Flammability		
Contact material		94 HB
Housing		94 V-2
<b>Compliance with standards and directives</b>		
Standard conformity		
Degree of protection		EN 60529:2000

**Electrical connection**



Release date: 2014-03-21 08:43 Date of issue: 2014-03-24 21:0348\_eng.xml



Standards

IEC 61076-2-101:2008

Release date: 2014-03-21 08:43 Date of issue: 2014-03-24 210348\_eng.xml